

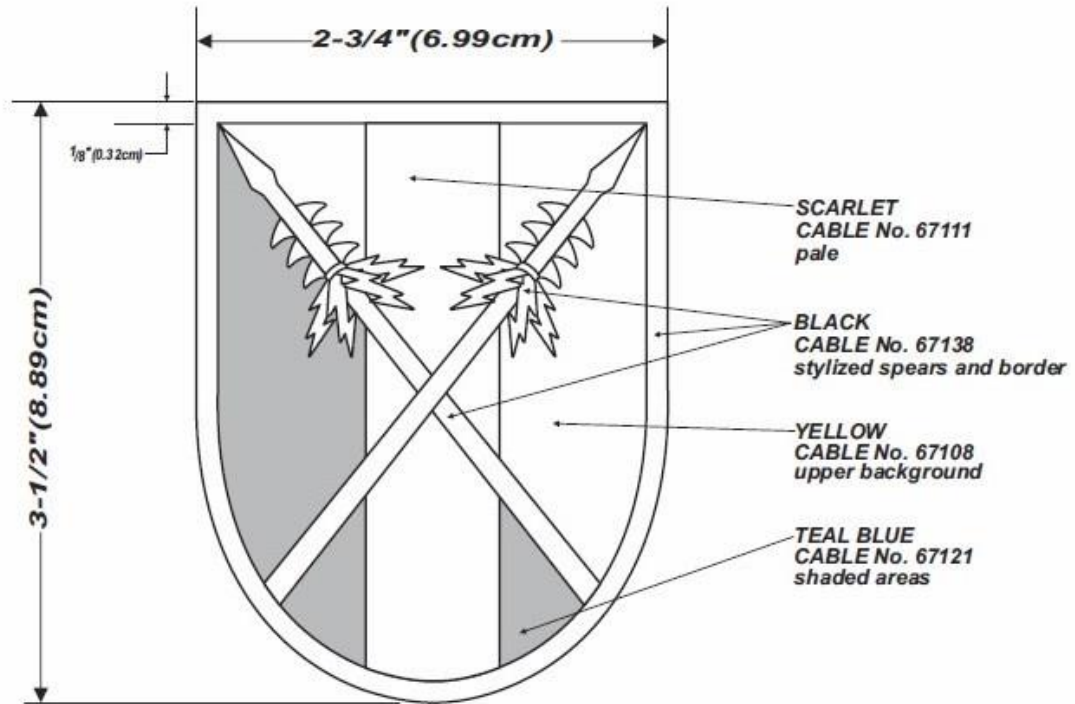
**FOR SUBDUED INSIGNIA**

**ACU:**

YELLOW AREA TO BE FOLIAGE GREEN 67202. BLACK & RED AREAS TO BE BLACK 67138. TEAL BLUE AREA TO BE BROWN 67136.

**REVISIONS**

LTR	DESCRIPTION	DATE	APPROVED
B	STITCH COUNT ADDED.	14 DEC 2010	pm SAO TLC <i>Charles V. Mugno</i> CHARLES V. MUGNO DIRECTOR



**DESIGNED FOR OVEREDGE STITCHING**

**STITCH COUNT**

9841 STITCHES (minimum)  
90/2 DENIER  
12/4 SPAN

UNLESS OTHERWISE SPECIFIED DIMENSIONS ARE IN INCHES TOLERANCES ON FRACTIONS DECIMALS ANGLES

MATERIALS:  
TO BE MANUFACTURED IN ACCORDANCE WITH MIL-DTL-14652

EXAMINED	TLC	
CHECKED	pm	SAO
PREPARED	CA	
APPROVED	<i>Charles V. Mugno</i> CHARLES V. MUGNO DIRECTOR	

THE INSTITUTE OF HERALDRY, DEPARTMENT OF THE ARMY  
9325 GUNSTON RD. S-113 FORT BELVOIR, VA 22060-5579

**SHOULDER SLEEVE INSIGNIA**  
303D MANEUVER ENHANCEMENT BRIGADE  
UNITED STATES ARMY RESERVE

SIZE	CONTROL IDENT. NO	
A	22571	A - 1 - 1039
SCALE	FULL	DATE 14 OCTOBER 2010